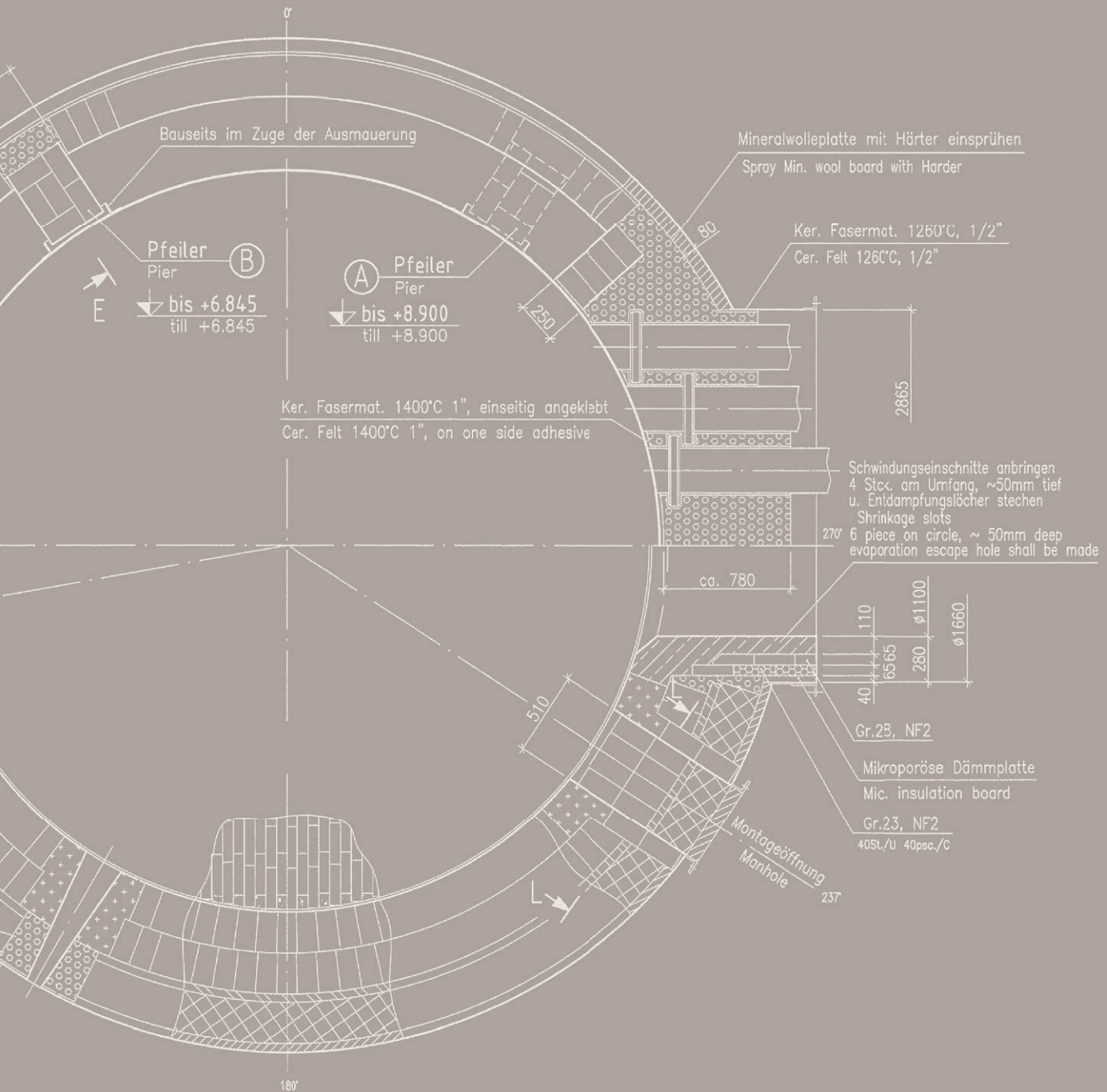


**Skill and innovation around refractory and chimney construction. For more than 130 years.**



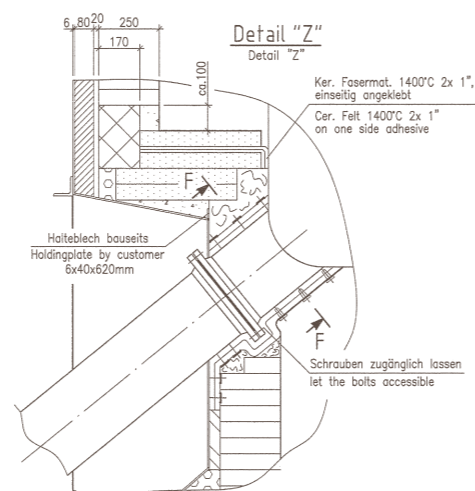


**Respecting tradition,  
at home in the present.**

Skill, experience, innovation and superb quality: The name of Wilhelm Tölke has been well known in refractory and chimney construction for more than 130 years. Since the beginning our customers and business partners have always valued our reliability, our attention to detail and our flexibility.

This of course applies not only to our specialisation, the refractory and chimney construction, but across our whole portfolio of services for industry of all kinds. We always set the standard - with advanced installation and construction techniques. And with a drive to innovate which has set us apart since 1882.

Beside our head office in Nuremberg we have a branch in Berlin and subsidiaries in Vienna and Ploiesti (Romania). But as a leading company in this area we are at home anywhere experts are needed for refractory lining and application of installations.



**The Tölke Partnership Principle:  
You have a challenge.  
We use our expertise to solve it.**

Our core business is the refractory and chimney construction. Whether a refractory lining is needed for a furnace or unit or services are demanded related to chimneys: we are your reliable partner for any jobs that include refractory.

What differentiates us is the sheer range of our services: Do you need a new plant? We install the refractory for you. Are you looking for repair/renovation or someone to maintain your existing site? We will take care of it for you! Do you need reliable engineering skills for technical calculations, or prefabricated components or supplies of refractory materials? No problem!

**Whether installing or dismantling, supplying materials or drying, inspection or maintenance. Our range of services around refractory construction covers almost all relevant industries:**

- Aluminium
- Chemicals and petrochemicals
- Lime-cement
- Power stations
- Waste and hazardous waste incinerators
- Burning biomass and wood
- Heat treatment plants
- Steel
- Special units

**And for chimneys you can count on us to provide the following services:**

- Inspections
- Renovations
- Complete rebuilds
- Supply of new installations





**Success means responsibility.**

**We are certified.**

We want you to be able to check at all times whether we measure up to our own quality standards. That is why we aim for far more than just a technically correct, problem-free fulfilment of your order. We are aware of our responsibility to the people who work for us and with us. Continuous and organised vocational training leading to qualifications is therefore as much a part of our business principles as health and safety and protection of the environment. That is why we apply extensive measures - not least of which is a certified quality and safety management programme with regular internal audits.

As a result, Tölke has been certified under DIN EN ISO 9001:2008 and SCCP:2011. In addition to this we comply strictly with the Dangerous Substances Regulation (GefStoffV) and are inspected under the Water Management Act (WHG). Expert staffs are regularly API 936 certified.



**A strong team to have on your side.  
We plan, construct, supply and build.  
Around the world.**

Our position today as one of the leading companies in our field is the result of the hard work of our committed teams of specialists comprising of engineers, technicians and expert fitters. Each and every one contributes to fulfilling our quality commitment - in every single project around the world.

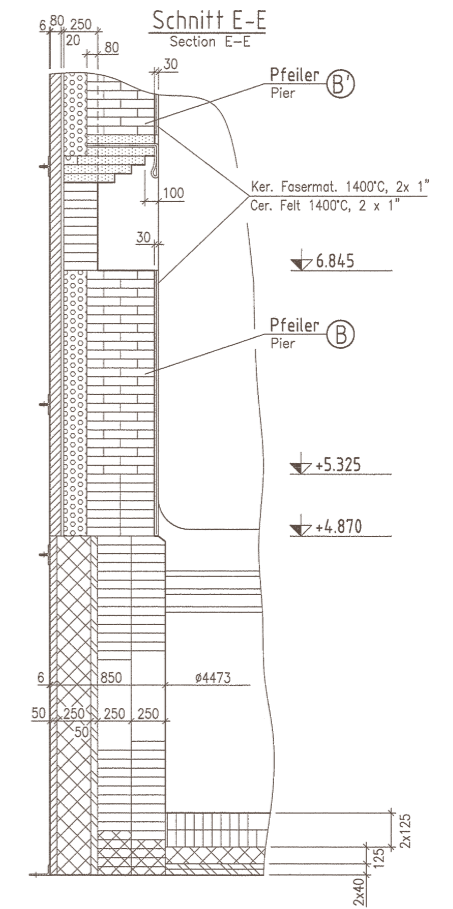
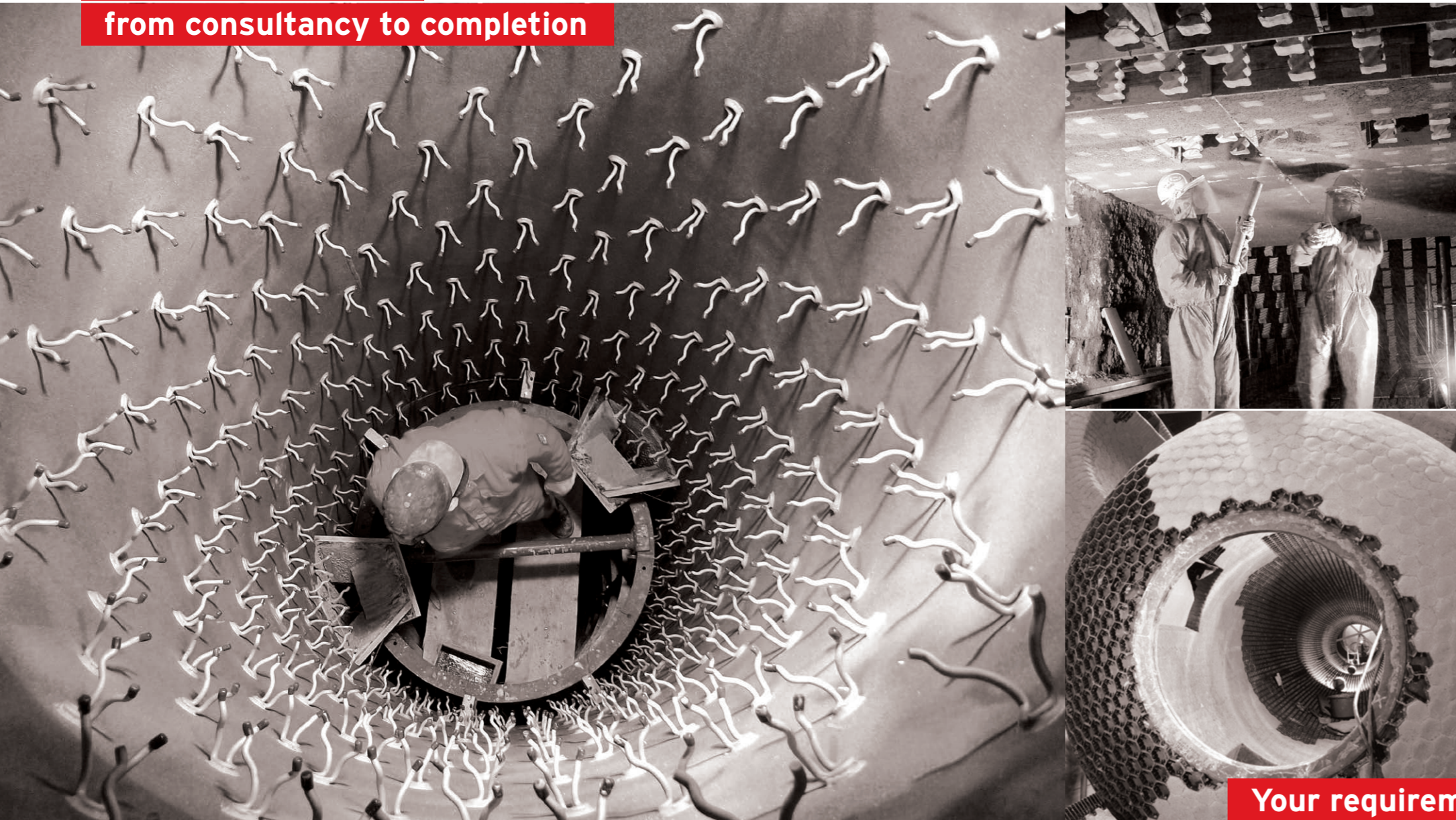


Because one thing is clear: refractory construction is always a matter of precision. And precision work - which includes careful planning, precise construction and skilled completion - is part of our company culture. You as our customer and business partner enjoy the benefits of this across our whole range of services. Starting with the planning, including consultancy, configuration and supply of materials and through to fitting. Always professional, always on time.

And because an emergency in an industrial plant does not allow for any delays, our service orientation means that we are at your disposal seven days a week, 24 hours per day. This includes not just a full range of equipment, but also a superbly equipped construction team with inventory. We produce our own refractory components on demand - including pre-drying - and deliver them using our own fleet of vehicles.

And Wilhelm Tölke also offers you the full range of services for chimney construction. Our qualified personnel carries out inspections and is happy to advise you. Whether you are looking for optimum project planning for repairs, renovations and shortenings, or complete decommissioning of chimneys.

**One-stop solutions:  
from consultancy to completion**



**Your requirements matter:  
our lining and insertion processes**

- Technical consultancy / inspection
- Analysis of damage
- Engineering with documentation
- Supply of materials
- Provision of all the equipment needed
- Provision of all supplies, formwork etc.
- Provision of qualified workers and expert staff
- Drying with documentation
- Carrying out a complete shut down of sites with refractory areas

- Conventional brick walling, lightweight refractory and insulating bricks
- Vaulting and brickwork using shaped bricks
- Pipe protection and cooling plate systems, all required construction components.
- Plastic / semi-plastic ramming and gunning masses
- Refractory concretes, lightweight refractory concretes: for pouring, gunning, pumping, trowelling
- Refractory concrete wearing layers on Hexmesh or similar
- SiC castables on pins with/out caps, tubes, anchors
- Fibre installation: layer construction, fibre strips, fibre modules

**We are there for you,  
right where you need us.**

**Wilhelm Tölke GmbH & Co. KG**

Kraußstrasse 8  
90443 Nürnberg, Germany  
Tel: +49(0)911 | 23 89 - 0  
Fax: +49(0)911 | 23 75 - 525  
toelke@toelke-feuerfest.de  
www.toelke-feuerfest.de

**Wilhelm Tölke GmbH & Co. KG**

Wiesendamm 17  
13597 Berlin, Germany  
Tel: +49(0)30 | 32 30 40 - 16  
Fax: +49(0)30 | 32 30 40 - 61  
toelke@toelke-feuerfest.de  
www.toelke-feuerfest.de

**Tölke Feuerfest- und  
Schornsteinbau GmbH**

Mannswörtherstraße 37  
1110 Vienna, Austria  
Tel: +43(0)1 | 76 91 584 - 0  
Fax: +43(0)1 | 76 91 584 - 18  
toelke@toelke-feuerfest.at  
www.toelke-feuerfest.at

**SC Wilhelm Tolke SRL**

Soseaua Vestului No. 12,  
office No. 32  
100304 Ploiesti, Romania  
Tel: +40(0)3 | 44 14 08 - 89  
tolke@tolke-romania.ro  
www.tolke-romania.ro

